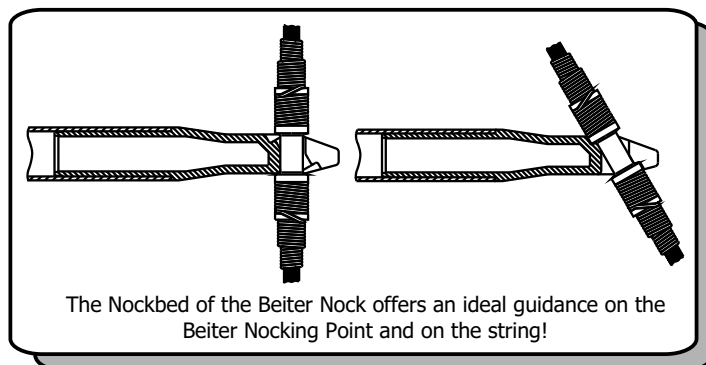


The Beiter NOCK

Since its appearance on the market, the world-wide patented Beiter Nock has become the standard in archery. It was the first Insert Nock and later Outsert Nock for target archers. Main features of Beiter Nocks, that distinguish them from other makes are:

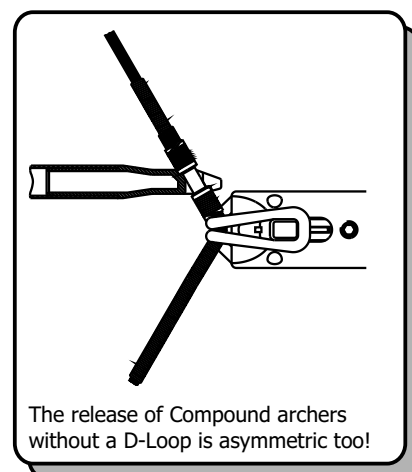
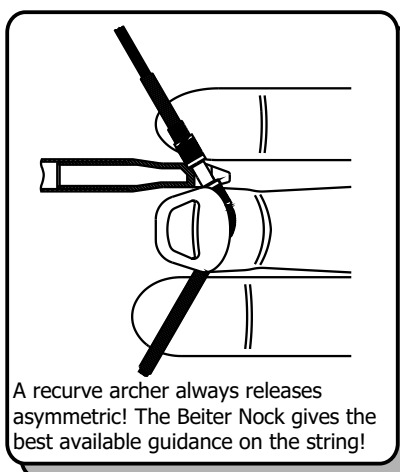
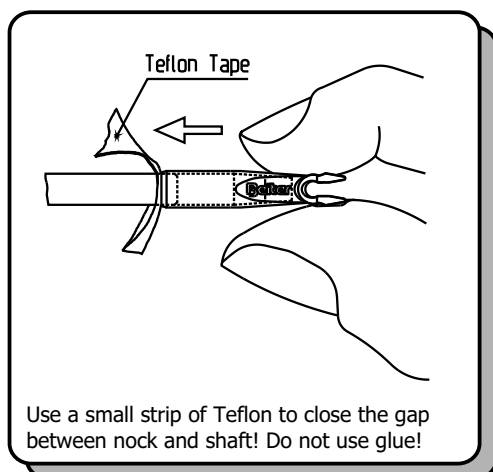
- ⇒ Each Nock size has only one single mould. This offers highest precision and lowest tolerances. Every single Nock of one size comes out of the same mould.
- ⇒ The Nock does not pinch on the nocking point, it rests there with a spring effect. The working life is much longer and, very important, the Beiter Nock guarantees constant release from the bowstring, shot after shot.
- ⇒ The Beiter Nock can be shot without problem with all known nocking points; but the Beiter nocking point is the ideal partner for it. If used together, they avoid the arrow nocking out of the string at full draw and have ideal gliding surfaces.
- ⇒ Since it has been on the market, the Beiter Nock has been used by most Medallists at the Olympic Games, World Championships and other major Championships world-wide.

Nockbed Sizes		#1	#2	#3	
	A	4.40	5.00	5.30	mm
		.172	.196	.208	inches
		2.70	3.00	3.20	mm
		.106	.118	.126	inches
	B	2.20	2.50	2.70	mm
		.086	.098	.106	inches



HINTS AND GENERAL INFORMATION:

- ⇒ The Beiter Nock is asymmetric, to adapt perfectly to the asymmetric drawn string. To ensure the Nock is placed correctly, see that the notch for the nocking point, looks to the front.
- ⇒ The bushing on the arrow shaft can easily be removed (by cutting the shaft approx. 1 cm or 1/2" from the end). Thanks to the direct fit, you reduce the tolerances to a minimum!
Use the Beiter Deburring Tool to edge-off the end of the shaft. Clean the cut surface of aluminum and aluminum-carbon shafts, before inserting the nock.
- ⇒ Do not use any solvents or solvent containing glues on Beiter Nocks. Install the nocks after cleaning the shaft and introducing the point.
- ⇒ Do not glue Beiter Nocks!
- ⇒ If the shaft diameter is a few hundreds of millimeter too big and the nock fits too loose, don't glue it!
Compensate the gap with a small strip of teflon tape. (look at the left drawing on the bottom)
- ⇒ To install, remove or turn a Beiter Nock, use the Beiter Push'n'Pull: it gives a better grip and works as a small lever.



The Beiter INSERT-NOCK

BEITER INSERT NOCKS																				
Model	diam. in mm	fit for	Weight (grams)	Weight (grains)	Colour															
					#01	#10	#20	#21	#30	#35	#40	#45	#48	#50	#57	#61	#71	#80	#89	
					clear	fl. red	fl. green	heavy yellow	fl. orange	heavy orange	fl. blue	heavy blue	fl. darkblue	fl. darkgreen	heavy green	black	white	fl. purple	heavy pink	
Nockbed #1 - Small Groove																				
3,98	3,98	Vector 480 & 530, Cartel Triple 300-700,...	0,38	5,846				●		●		●			●	●	●		●	
12	4,25	ACE, Uni-System, ACC-00, Navigator, Cartel	0,36	5,538	●	●	●		●			●		●		●	●	●	●	
12 Heavy	4,25		0,43	6,615				●		●					●				●	
19	6,25	Super-Uni- System, SuperSwedge, PSE CF, Gold Tip 3D Pro. BlackHawk Vapor...	0,53	8,154	●	●	●		●			●		●		●	●	●		
19 Heavy	6,25		0,62	9,538				●		●					●				●	
3-04	4,75	ACC-04, C.Xpress Medallion	0,47	7,231		●	●		●			●		●		●	●	●		
3-18	5,11	ACC-18	0,57	8,769		●	●		●			●		●		●	●	●		
5,15	5,15	C.Xpress Medallion	0,57	8,769		●	●		●										●	
3-28	5,36	ACC-28	0,57	8,769		●	●		●			●		●		●	●	●		
1413	4,79	1413 XX75	0,37	5,692		●	●		●					●		●	●			
1416	4,74	1416 XX75	0,36	5,538		●	●		●					●		●	●			
1516	5,20	1516 X7, 1516 XX75, Easton Axis	0,50	7,692		●	●		●			●		●		●	●			
1614/16	5,64	1614 X7, 1616 X7	0,60	9,231		●	●		●			●				●				
1616/75	5,54	1616 XX75	0,63	9,692		●	●		●										●	
1714	6,80	1714 X7, 1713 XX75	0,65	10,000		●	●		●			●				●	●	●		
1716	6,04	1716 X7	0,66	10,154		●	●		●			●		●		●	●			
1716/75	5,92	1716 XX75	0,64	9,846		●	●		●			●		●		●	●			
Nockbed #2 - Large Groove																				
3,98	3,98	Vector 480 & 530, Cartel Triple 300-700,...	0,43	6,615				●		●		●			●	●	●		●	
12	4,25	ACE, Uni-System, ACC-00, Navigator, Cartel	0,42	6,462	●	●	●		●			●		●		●	●	●	●	
12 Heavy			0,48	7,385				●		●		●							●	
19	6,25	Super-Uni- System, SuperSwedge, PSE CF,...	0,60	9,231	●	●	●		●			●		●		●	●	●	●	
19 Heavy			0,69	10,615			●		●						●					●
19 Long			0,77	11,846	●	●	●													●
3-04	4,75	ACC-04, C.Xpress Medallion	0,53	8,154		●	●		●			●		●		●	●	●		
3-18	5,11	ACC-18	0,64	9,846		●	●		●			●		●		●	●	●		
5,15	5,15	C.Xpress Medallion	0,64	9,846		●	●		●										●	
5,19	5,19	AC Super Slim, Axis	0,65	10,000		●	●		●										●	
3-28	5,36	ACC-28	0,64	9,846		●	●		●			●		●		●	●	●		
3-39	5,65	ACC-39	0,71	10,923		●	●		●			●		●		●	●	●		
3-49	5,90	ACC-49	0,81	12,462		●	●		●			●		●		●	●	●		
3-60	6,18	ACC-60, CT-Rhino...	0,84	12,923		●	●		●			●		●		●	●	●		
19-620	6,20	C.Xpress CX, CT Cheetah, GT Camo, BH Vapor..	0,87	13,385		●	●		●							●	●			
3-71	6,45	ACC-71	0,85	13,077		●	●		●			●		●		●	●	●		
1814	6,49	1814 X7, 1813 XX75	0,89	13,692		●	●		●			●		●		●	●		●	
1816	6,40	1816 X7	0,90	13,846		●	●		●			●		●		●	●		●	
1816/75	6,34	1816 XX75	0,89	13,692		●	●		●			●		●		●	●		●	
1914	6,88	1914 X7, 1913 XX75	0,96	14,769		●	●		●			●		●		●	●		●	
1916	6,85	1916 X7	0,89	13,692		●	●		●			●		●		●	●		●	
1916/75	6,72	1916 XX75	0,99	15,231		●	●		●			●		●		●	●		●	
2014	7,25	2014 X7, 2013 XX75	1,08	16,615		●	●		●			●		●		●	●		●	
2016/75	7,11	2016 XX75	1,06	16,308		●	●		●			●		●		●	●		●	
2114	7,61	GT Series 22, 2114, 2115, 2117	1,15	17,692		●	●		●			●		●		●	●		●	
23-808	8,08	C. Xpress CXL	1,16	17,846		●	●		●							●	●		●	
2212	8,17	Black Hawk Speed, 2212	1,23	18,923		●	●		●					●		●	●		●	
2312	8,61	2312	1,31	20,154	●	●	●		●			●		●		●	●		●	
2413	8,78	GT Xcutter, 2413	1,38	21,231		●	●		●			●		●		●	●		●	
2512	9,49	2512	1,41	21,692	●	●	●		●			●		●		●	●		●	
2613	9,85	2613	1,35	20,769	●	●	●		●			●		●		●	●		●	

Info!

Beiter Insert-Nocks 12/1, 12/2, 19/1 and 19/2: the colours #21, #35, #57 and #89 are "Heavy" and differ from the Standard-Insert-Nock only because they are a little bit heavier and stiffer.

The Beiter INSERT-NOCK

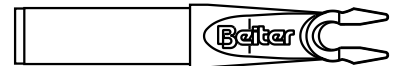
BEITER INSERT NOCKS																			
Model	diam. in mm	fit for	Weight (grams)	Weight (grains)	Colour														
					#01	#10	#20	#21	#30	#35	#40	#45	#48	#50	#57	#61	#71	#80	#89
Nockbed #3 - Extra Large Groove																			
					clear	fl.red	fl.green	heavy yellow	fl.orange	heavy orange	fl.blue	heavy blue	fl.darkblue	fl.darkgreen	heavy green	black	white	fl.purple	heavy pink
2213	8,04	2213	1,28	19,692	●	●		●		●		●	●		●	●	●		
2216	7,94	2216, 2217	1,28	19,692		●	●		●		●		●	●		●	●	●	
2219	7,75	2219	1,30	20,000		●	●		●		●		●	●		●	●	●	
2312	8,61	2312	1,38	21,231		●	●		●		●		●	●		●	●	●	
2314	8,32	2314	1,29	19,846		●	●		●		●		●	●		●	●	●	
2413	8,78	GT Xcutter, 2413	1,43	22,000		●	●		●		●		●	●		●	●	●	
2419	8,50	2315, 2317, 2419	1,40	21,538		●	●		●		●		●	●		●	●	●	
2512	9,49	2512	1,49	22,923		●	●		●		●		●		●	●	●		
2613	9,85	2613	1,56	24,000		●	●		●		●		●		●	●			

Code-numbers:

The code for Beiter Insert Nock consists out of:

Product Group (NO)/Type/Nockbed Size (1=Small, 2=Large, 3=Extra-Large)/Colour Code, e.g.

- **NO 12 1 61** -> Nock 12/1, Black #61
- **NO 23808 2 20** -> Nock 23-808/2, Fl. Green #20
- **NO 19 2 57** -> Nock 19/2, Heavy Green #57



Packing Unit:

Standard packing unit for Beiter Nocks is 100pcs., but dozens are also available.



The Beiter HUNTER-NOCK

FEATURES:

The Beiter Hunter Nock was designed for Compound Archers with D-Loop. Hunter Nocks are "symmetric" because only with this shooting style release and nock are in one line, that means this is the only symmetric way to shoot in archery.

- ⇒ Each Nock size has only one single mould. This offers highest precision and lowest tolerances. Every single Nock of one size comes out of the same mould.
- ⇒ The Nock does not pinch on the nocking point, it rests there with a spring effect. The working life is much higher and - very important - the Beiter Nock guarantees constant release from the bowstring, shot after shot!
- ⇒ The Beiter Nock can be shot without problem with all known nocking points; but the Beiter nocking point is the ideal partner for it, having ideal gliding surfaces.

BEITER HUNTER NOCKS													
Model	diam. in mm	fit for	Weight (grams)	Weight (grains)	Colour								
					#10	#20	#21	#30	#35	#57	#61	#71	#89
					fl.red	fl.green	heavy yellow	fl.orange	heavy orange	heavy green	black	white	heavy pink
Nockbed 2 - Large Groove													
3,98	3,98	Vector 480 & 530, Cartel Triple 300-700,...	0,47	7,231			●		●	●	●	●	
12	4,25	ACE, Uni-System, ACC-00, Navigator, ...	0,49	7,538	●	●	●	●	●	●	●	●	●
19	6,25	Super-Uni- System, SuperSwedge, PSE CF, Gold Tip 3D Pro. BlackHawk Vapor...	0,70	10,769	●	●	●	●	●	●	●	●	●
19-620	6,20	C.Xpress CX, CT Cheetah, GT Camo, BH Vapor..	0,85	13,077	●	●		●			●	●	
2114	7,61	GT Series 22, 2114, 2115, 2117	1,11	17,138	●	●		●			●		
2213	8,04	2213	1,13	17,385	●	●		●			●		
2216	7,94	2216, PSE Equalizer	1,15	17,692	●	●		●			●	●	
23-808	8,08	C. Xpress CXL	1,19	18,308	●	●		●			●	●	
2312	8,61	2312	1,34	20,615	●	●		●			●	●	
2314	8,32	2314	1,26	19,385	●	●		●			●	●	
2315	8,48	2315	1,31	20,154	●	●		●			●	●	
25-886	8,86	C. Xpress Line Jammer	1,46	22,462	●	●		●			●	●	

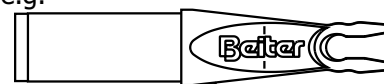
Code-numbers:

The code for the Beiter Hunter Nock consists out of:

Product Group (NO)/Type/Nockbed (only #2)/H (Hunter)/Colour Code, e.g.

- **NO 12 2 H 71** -> Nock 12/2 Hunter, White #71

- **NO 2114 2 H 10** -> Nocke 2114/2 Hunter, Fluor. Red #10



Packing Unit:

Standard packing unit for Beiter Nocks is 100pcs., but dozens are also available.



HINTS AND GENERAL INFORMATION:

Many arrow shafts are coming with an installed **Super Uni Bushing**. These may be **easily removed** to use a **direct fit** Insert Nock.

Not only do you achieve the **highest possible precision**, but you also have **much less weight** on the end of the shaft, compared to the use with a Super Uni Bushing and the relative nock.

Here is a real example: A 19/2 Hunter Nock with Uni Bushing (2314) weights 1,45g/22,36grns. A Beiter Insert Nock 2314/2 Hunter weights **ONLY** 1,26g/19,345grns. **THIS IS A LOSS OF WEIGHT OF ~ 15%!**

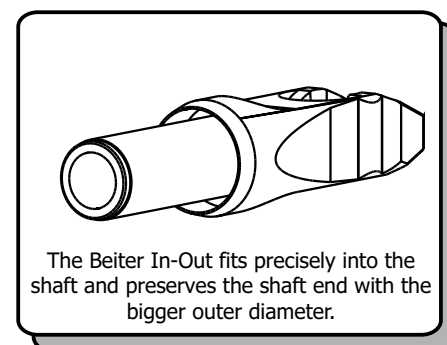
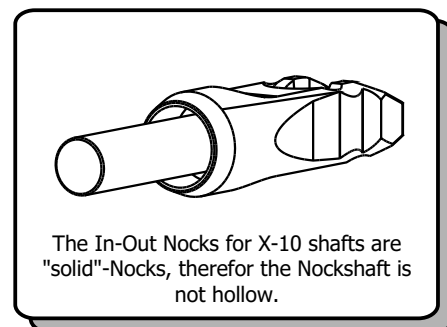
And: the combination of Uni Bushing System and Nock is more expensive than 1 Beiter Nock!

The Beiter IN-OUT NOCK

FEATURES:

- ⇒ The Beiter In-Out Nock is available in both versions: asymmetric and symmetric (Hunter).
- ⇒ Lowest tolerances and highest precision: every single nock of each size comes out of the same mould!
- ⇒ The Beiter Nock does not pinch on the nocking point, it rests there with a spring effect. The working life is much higher and, very important, the Beiter Nock guarantees constant release from the bowstring, shot after shot.
- ⇒ The Beiter Nock can be shot without problem with all known nocking points; but the Beiter nocking point is the ideal partner for it having ideal gliding surfaces.
- ⇒ The Beiter In-Out Nock is available for many Aluminium-Carbon shafts on the market.

BEITER IN-OUT NOCKS										
Model	diam. in mm	fit for	Weight (grams)	Weight (grains)	Colour					
					#21	#35	#45	#57	#61	#71
					heavy yellow	heavy orange	heavy blue	heavy green	black	white
Nockbed #1 - Small Groove										
0X1	3,25	X-10	0,44	6,769	●	●	●	●	●	●
2X1S	4,25	ACE, NAV 1000-810, X-pert 1040-980	0,43	6,615	●	●	●	●	●	●
2X1L	4,25	ACE, NAV 1000-810, X-pert 1040-980	0,54	8,308	●	●	●	●	●	●
2-65X1	4,25	NAVIGATOR 710-610, X-Pert 900-660	0,49	7,538	●	●	●	●	●	●
2-95X1	4,25	NAVIGATOR 540-430 X-pert 580-520	0,49	7,538	●	●	●	●	●	●
Nockbed #2 - Large Groove										
0X2	3,25	X-10	0,50	7,692	●	●	●	●	●	●
2X2S	4,25	ACE, NAV 1000-810, X-pert 1040-980	0,50	7,692	●	●	●	●	●	●
2X2L	4,25	ACE, NAV 1000-810, X-pert 1040-980	0,60	9,231	●	●	●	●	●	●
2-65X2	4,25	NAVIGATOR 710-610, X-Pert 900-660	0,55	8,462	●	●	●	●	●	●
2-95X2	4,25	NAVIGATOR 540-430 X-pert 580-520	0,55	8,462	●	●	●	●	●	●
Nockbed #2 HUNTER										
0X2H	3,25	X-10	0,49	7,538	●	●	●	●	●	●
2X2H	4,25	ACE	0,55	8,462	●	●	●	●	●	●
2-65XH	4,25	wie 2-65X1 & 2-65X2	0,56	8,615	●	●	●	●	●	●
2-95XH	4,25	wie 2-65X1 & 2-65X2	0,58	8,923	●	●	●	●	●	●



Code-numbers:

The code for the Beiter In-Out Nock consists out of:

Product Group (NO)/Type/(Hunter)/Colour Code, e.g.

- **NO 2X2L 61** -> Nock 2X2 Long in Black #61
- **NO 0X2 H 21** -> Nock 0X2 Hunter Heavy Yellow #21
- **NO 295X1 45** -> Nock 2-95X1 Heavy Blue #45

Packing Unit:

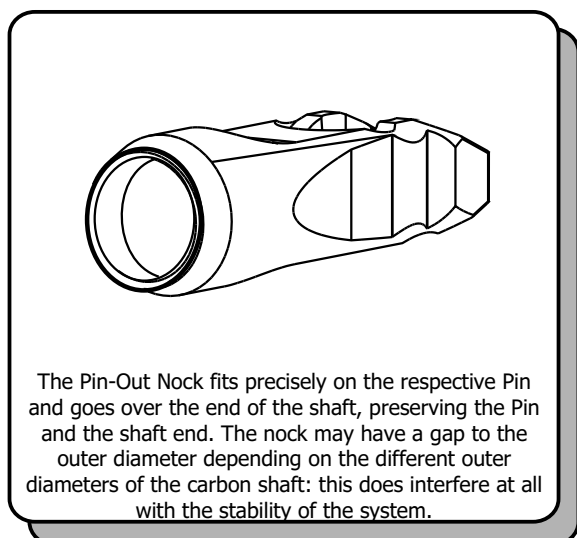
Standard packing unit for Beiter Nocks is 100pcs., but dozens are also available.

The Beiter PIN-OUT NOCK

EIGENSCHAFTEN:

- ⇒ The Beiter Pin-Out Nock is available for some Pin-Systems ,e.g. Pro-Tour Pins, X-10 Pins, Nano XR Pins
- ⇒ The Beiter Pin-Out Nock is available asymmetric or symmetric (Hunter).
- ⇒ Lowest tolerances and highest precision: every single nock of each size comes out of the same mould!
- ⇒ The Beiter Nock does not pinch on the nocking point, it rests there with a spring effect. The working life is much higher. The Beiter Nock guarantees constant release from the bowstring, shot after shot.
- ⇒ The Beiter Nock can be shot without problem with all known nocking points; but the Beiter nocking point is the ideal partner for it having ideal gliding surfaces.

BEITER PIN-OUT NOCK								
Model	Nockbed	fit for	Weight (grams)	Weight (grains)	Colour			
					#10	#20	#22	#30
					fl. Red	fl. Green	neon yellow	fl. Orange
Nockbed #1 ASYMMETRIC								
1451	1	X-10 Pin	0,29	4,462	●	●		●
1491	1	NANO XR #2 Pin (RED)	0,34	5,231	●	●	●	●
1541	1	NANO XR #1 Pin (BLUE)	0,33	5,077	●	●	●	●
Nockbed #2 ASYMMETRIC								
1452	2	X-10 Pin	0,34	5,231	●	●	●	●
1492	2	NANO XR #2 Pin (RED)	0,42	6,462	●	●	●	●
1542	2	NANO XR #1 Pin (BLUE)	0,40	6,154	●	●	●	●
Nockbed #2 HUNTER								
145H	H	X-10 Pin	0,38	5,846	●	●		●
149H	H	NANO XR #2 Pin (RED)	0,41	6,338	●	●	●	●
150H	H	Pro-Tour Pin, NANO XR PRO	0,43	6,615	●	●	●	●
154H	H	NANO XR #1 Pin (BLUE)	0,44	6,692	●	●	●	●



Code-numbers:

The code for the Beiter Pin-Out Nock consists out of:
Product Group (PO)/Type/(Hunter)/Colour Code, e.g.
 - **PO 150 H 10** -> Nock for Pro-Tour Pin, Hunter, Red #10
 - **PO 145 1 30** -> Nock for X-10 Pin, #1, Fl. Orange #30

Packing Unit:

Standard packing unit for Beiter Nocks is 100pcs., but dozens are also available.